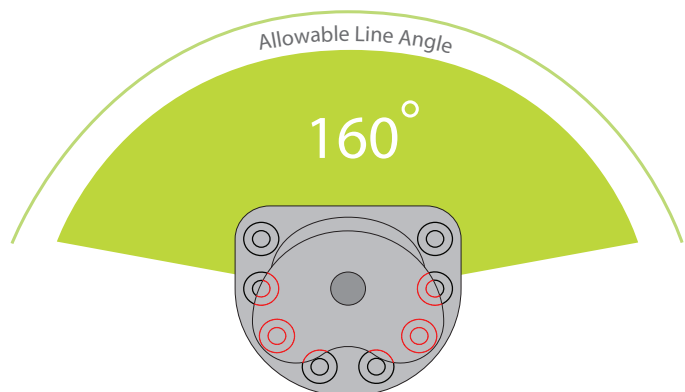
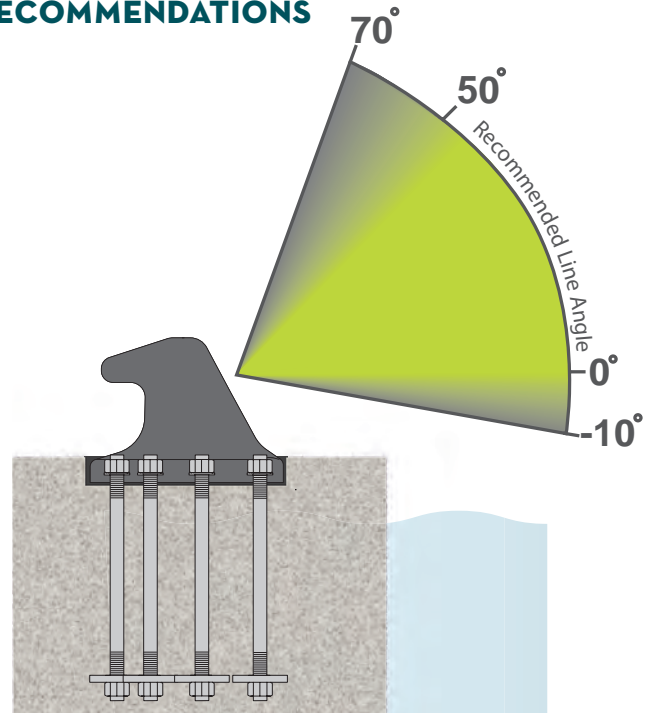


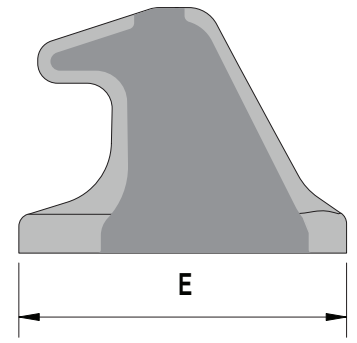
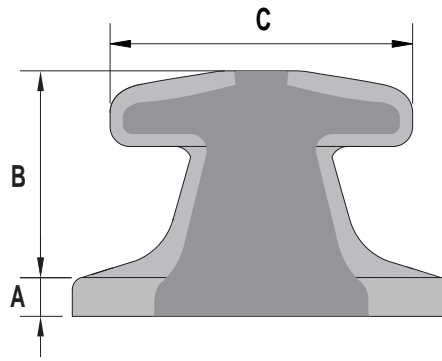
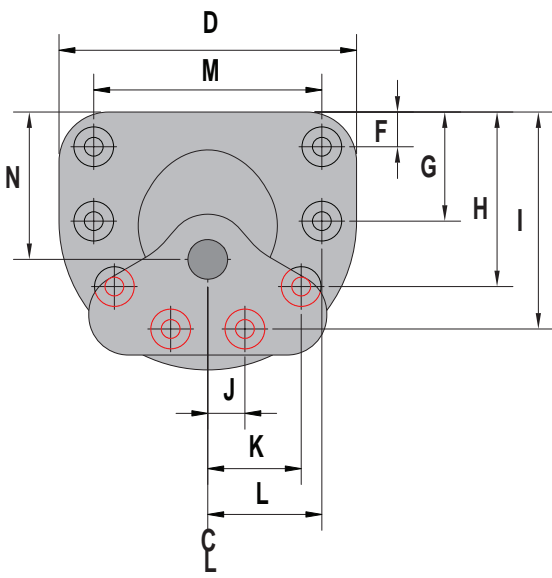
MT

T-HEAD BOLLARDS

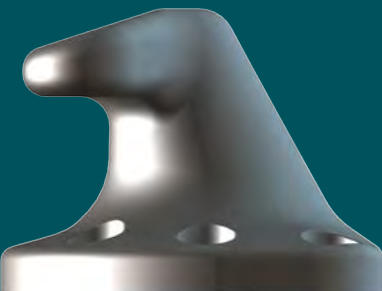
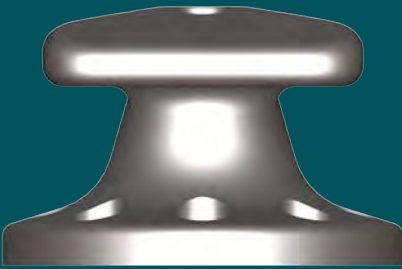


LOAD ANGLE RECOMMENDATIONS





DIMENSIONS AND CAPACITIES



Standard Bollard Capacity (Metric Tonnes)

Imperial Dimensions (inches)	MT 10	MT 15	MT 20	MT 30	MT 50	MT 75	MT 100	MT 125	MT 150	MT 200
A	1-7/8	2	2-1/8	2-1/4	2-3/4	3-1/4	3-1/4	3-3/8	3-5/8	3-7/8
B	7-7/8	8-5/8	9-1/2	9-7/8	12-1/8	13-7/8	16-1/8	18	19-3/8	20-1/2
C	12	13-1/4	13-3/4	14-3/8	17-3/4	20-3/8	24	26-3/8	28-3/8	30
D	15	16-1/2	17-1/4	18	22-1/4	25-1/2	30	33	35-3/8	37-1/2
E	13	14-1/4	15	15-5/8	19-1/4	22-1/8	26	28-5/8	30-5/8	32-1/2
F	1-3/4	1-7/8	2	2-1/8	2-5/8	3	3-1/2	3-7/8	4-1/8	4-3/8
G	-	-	-	-	-	-	12	13-1/4	14-1/8	13-3/4
H	-	-	9-1/8	9-1/2	11-3/4	11-3/4	19-1/2	21-1/2	23-1/8	22
I	9-5/8	10-1/2	13	13-1/2	16-5/8	18-1/4	22-1/2	24-3/4	26-1/2	27-3/8
J	4-1/8	4-1/2	0	0	0	4-1/8	0	0	0	4-5/8
K	-	-	6	6-1/4	7-3/4	9-1/2	7-3/4	8-1/2	9-1/8	11-3/4
L	-	-	-	-	-	-	11-1/2	12-5/8	13-1/2	14-3/8
M	11-1/2	12-5/8	13-1/4	13-3/4	17	19-1/2	23	25-1/4	27-1/8	28-3/4
N	7-3/8	8-1/8	8-1/2	8-7/8	11	12-5/8	14-7/8	16-3/8	17-1/2	18-5/8
Bolt Size	1	1	1	1-1/8	1-3/8	1-1/2	1-3/4	1-3/4	2	2
Bolt Length	18	18	18	18	24	24	30	30	36	36
Bolt Qty	4	4	5	5	5	6	7	7	7	8

Standard Bollard Capacity (Metric Tonnes)

Metric Dimensions (mm)	MT 10	MT 15	MT 20	MT 30	MT 50	MT 75	MT 100	MT 125	MT 150	MT 200
A	47	52	54	57	70	80	80	87	93	97
B	199	219	240	250	308	354	413	458	492	521
C	305	335	351	366	451	518	610	671	719	762
D	381	419	438	457	564	648	762	838	899	952
E	330	363	380	396	489	561	660	726	779	826
F	44	49	51	53	66	76	89	98	105	111
G	-	-	-	-	-	-	305	335	360	349
H	-	-	232	242	298	298	496	546	586	559
I	243	267	329	343	423	463	572	629	674	694
J	103	114	0	0	0	105	0	0	0	119
K	-	-	152	159	196	241	195	215	231	299
L	-	-	-	-	-	-	291	320	343	365
M	292	321	336	351	432	497	584	643	689	730
N	189	208	217	226	279	321	377	415	445	472
Bolt Size	M24	M24	M24	M30	M36	M42	M42	M48	M48	M56
Bolt Length	450	450	450	450	600	600	600	750	750	915
Bolt Qty	4	4	5	5	5	6	7	7	7	8

T-Head Bollards